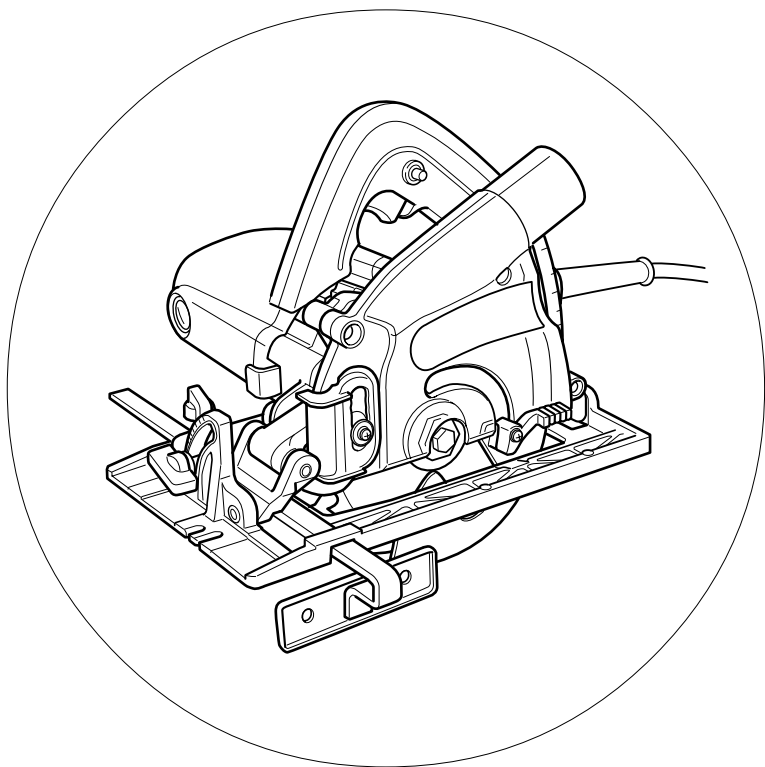


HITACHI

Dust Collection Circular Saw Sierra circular con toma de aspiración 日立牌集塵式圓鋸機

C 5YC

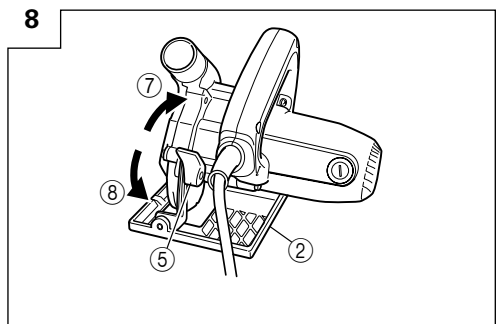
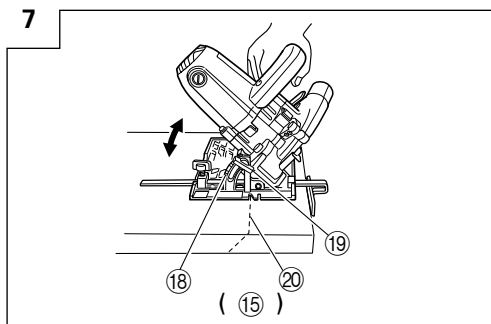
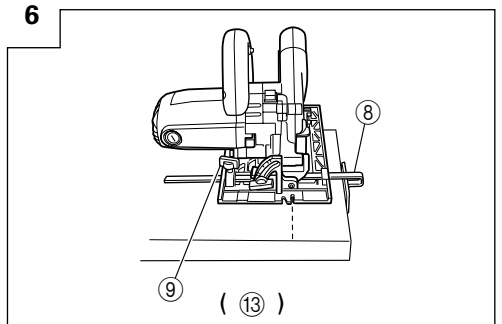
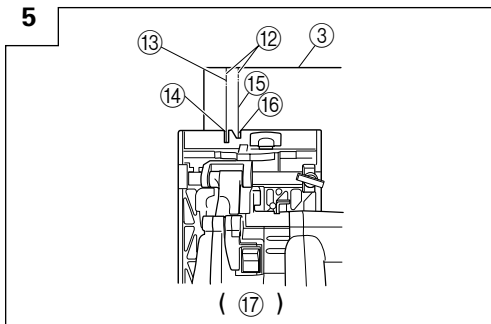
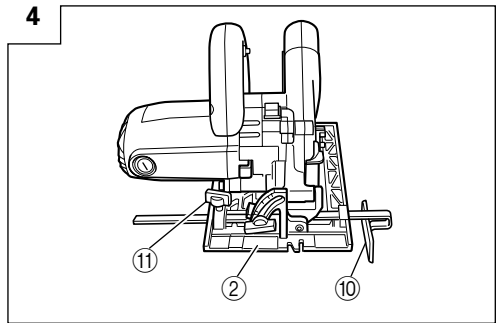
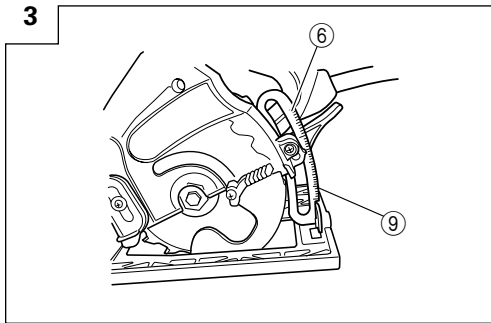
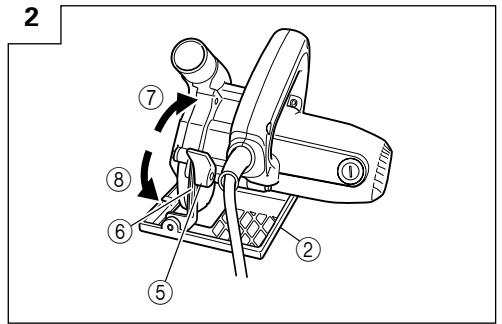
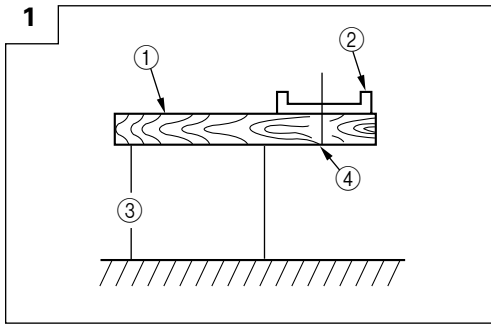
Handling instructions
Instrucciones de manejo
使用說明書

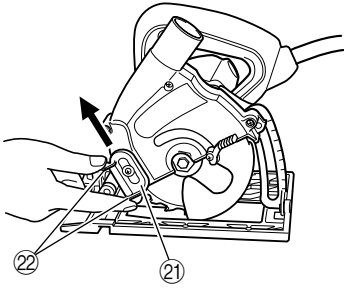
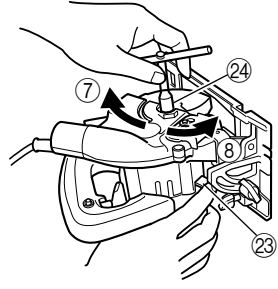
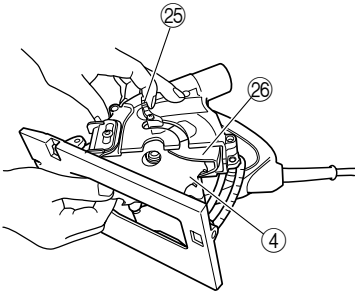
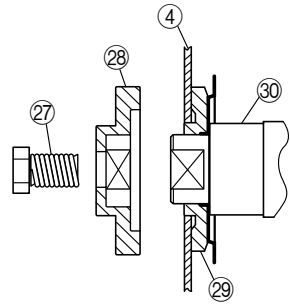
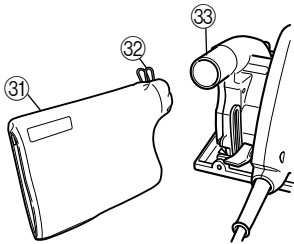
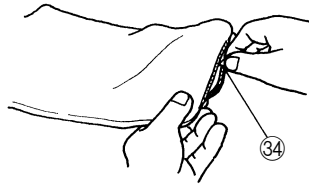
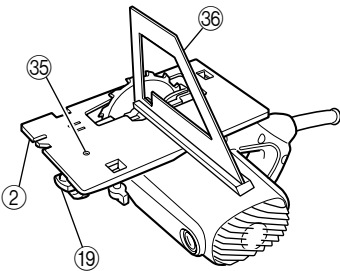


Read through carefully and understand these instructions before use.
Leer cuidadosamente y comprender estas instrucciones antes del uso.

使用前務請詳加閱讀。

Hitachi Koki



9**10****11****12****13****14****15**

	English	Espanol	中國語
①	Workpiece	Pieza de trabajo	工件
②	Base	Base	底座
③	Workbench	Banco de trabajo	工作臺
④	Saw blade	Cuchilla de sierra	鋸片
⑤	Clamp lever	Palanca de la abrazadera	固定桿
⑥	Link	Enlace	連接部
⑦	Loosen	Aflojar	鬆
⑧	Tighten	Apretar	緊
⑨	Scale link	Enlace de escala	標準連接部
⑩	Guide	Guía	引導器
⑪	Wing bolt	Perno de mariposa	蝶形螺栓
⑫	Premarked line	Línea predefinida	刻線
⑬	When not inclined	Cuando no está inclinado	不傾斜時
⑭	Large guide slot	Ranura guía grande	大導槽
⑮	When inclined 45°	Cuando está inclinado 45°	傾斜45° 時
⑯	Small guide slot	Ranura guía pequeña	小導槽
⑰	It is the figure seen from the top.	Es la figura vista desde arriba.	這是俯視圖。
⑱	Inclination scale	Escala de inclinación	傾斜度刻度盤
⑲	Wing bolt	Perno de mariposa	蝶形螺栓
⑳	Cutting position	Posición de corte	切割位置
㉑	Slide cover	Tapa deslizante	滑蓋
㉒	Projection part	Parte saliente	凸出部位
㉓	A lock lever is pushed in	Una palanca de bloqueo está pulsada	鎖緊桿推入
㉔	A hexagonal flange bolt is turned with a box spanner.	Los pernos de reborde hexagonal se giran con una llave de cazoleta.	用套筒扳手轉動六角凸緣螺栓。
㉕	Lever	Palanca	手柄
㉖	Lower guard	Protector inferior	下罩
㉗	Hexagonal flange bolt	Perno de reborde hexagonal	六角凸緣螺栓
㉘	Washer (A)	Arandela (A)	襯墊 (A)
㉙	Washer (B)	Arandela (B)	襯墊 (B)
㉚	Spindle	Husilio	心軸
㉛	Dust bag	Bolsa para polvos	集塵袋
㉜	Clasp	Presilla	扣片
㉝	Adapting mouth	Boquilla adaptadora	連接口
㉞	Fastener	Cierre	扣件
㉟	Slotted set screw	Tornillo de fijación ranurado	有槽固定螺絲
㊱	Square	Escuadra	直角尺

GENERAL SAFETY RULES

WARNING!

Read all instructions

Failure to follow all instructions listed below may result in electric shock, fire and/or serious injury.

The term "power tool" in all of the warnings listed below refers to your mains operated (corded) power tool or battery operated (cordless) power tool.

SAVE THESE INSTRUCTIONS

1) Work area

- a) **Keep work area clean and well lit.**
Cluttered and dark areas invite accidents.
- b) **Do not operate power tools in explosive atmospheres, such as in the presence of flammable liquids, gases or dust.**
Power tools create sparks which may ignite the dust of fumes.
- c) **Keep children and bystanders away while operating a power tool.**
Distractions can cause you to lose control.

2) Electrical safety

- a) **Power tool plugs must match the outlet. Never modify the plug in any way. Do not use any adapter plugs with earthed (grounded) power tools.**
Unmodified plugs and matching outlets will reduce risk of electric shock.
- b) **Avoid body contact with earthed or grounded surfaces such as pipes, radiators, ranges and refrigerators.**
There is an increased risk of electric shock if your body is earthed or grounded.
- c) **Do not expose power tools to rain or wet conditions.**
Water entering a power tool will increase the risk of electric shock.
- d) **Do not abuse the cord. Never use the cord for carrying, pulling or unplugging the power tool. Keep cord away from heat, oil, sharp edges or moving parts.**
Damaged or entangled cords increase the risk of electric shock.
- e) **When operating a power tool outdoors, use an extension cord suitable for outdoor use.**
Use of a cord suitable for outdoor use reduces the risk of electric shock.

3) Personal safety

- a) **Stay alert, watch what you are doing and use common sense when operating a power tool. Do not use a power tool while you are tired or under the influence of drugs, alcohol or medication.**
A moment of inattention while operating power tools may result in serious personal injury.
- b) **Use safety equipment. Always wear eye protection. Safety equipment such as dust mask, non-skid safety shoes, hard hat, or hearing protection used for appropriate conditions will reduce personal injuries.**
- c) **Avoid accidental starting. Ensure the switch is in the off position before plugging in.**
Carrying power tools with your finger on the switch or plugging in power tools that have the switch on invites accidents.

- d) **Remove any adjusting key or wrench before turning the power tool on.**

A wrench or a key left attached to a rotating part of the power tool may result in personal injury.

- e) **Do not overreach. Keep proper footing and balance at all times.**

This enables better control of the power tool in unexpected situations.

- f) **Dress properly. Do not wear loose clothing or jewellery. Keep your hair, clothing and gloves away from moving parts.**

Loose clothes, jewellery or long hair can be caught in moving parts.

- g) **If devices are provided for the connection of dust extraction and collection facilities, ensure these are connected and properly used.**

Use of these devices can reduce dust related hazards.

4) Power tool use and care

- a) **Do not force the power tool. Use the correct power tool for your application.**

The correct power tool will do the job better and safer at the rate for which it was designed.

- b) **Do not use the power tool if the switch does not turn it on and off.**

Any power tool that cannot be controlled with the switch is dangerous and must be repaired.

- c) **Disconnect the plug from the power source before making any adjustments, changing accessories, or storing power tools.**

Such preventive safety measures reduce the risk of starting the power tool accidentally.

- d) **Store idle power tools out of the reach of children and do not allow persons unfamiliar with the power tool or these instructions to operate the power tool.**

Power tools are dangerous in the hands of untrained users.

- e) **Maintain power tools. Check for misalignment or binding of moving parts, breakage of parts and any other condition that may affect the power tools operation.**

If damaged, have the power tool repaired before use.

Many accidents are caused by poorly maintained power tools.

- f) **Keep cutting tools sharp and clean.**

Properly maintained cutting tools with sharp cutting edges are less likely to bind and are easier to control.

- g) **Use the power tool, accessories and tool bits etc., in accordance with these instructions and in the manner intended for the particular type of power tool, taking into account the working conditions and the work to be performed.**

Use of the power tool for operations different from intended could result in a hazardous situation.

5) Service

- a) **Have your power tool serviced by a qualified repair person using only identical replacement parts.**

This will ensure that the safety of the power tool is maintained.

PRECAUTION

Keep children and infirm persons away.

When not in use, tools should be stored out of reach of children and infirm persons.

PRECAUTIONS ON USING CIRCULAR SAW

1. Do not use saw blades which are deformed or cracked.
2. Do not use saw blades made of high speed steel.
3. Do not use saw blades which do not comply with the characteristics specified in these instructions.
4. Do not stop the saw blades by lateral pressure on the side surface of disc.
5. Always keep the saw blade sharp.
6. Ensure that the lower guard moves smoothly and freely.
7. Never use the circular saw with its lower guard fixed in the open position.

8. Ensure that the retraction mechanism of the guard system operates accurately.
9. Never operate the circular saw with grasping the saw blade upside down or to the lateral direction.
10. Ensure that the material is free of foreign matters such as nails.
11. For model C5YC, the saw blade's diameters which can be mounted are 125 mm or less.
12. Be careful of brake kickback.
This circular saw incorporates an electric brake that functions when the switch is released. As there is some kickback when the brake functions, be sure to hold the main body securely.

SPECIFICATIONS

Voltage (by areas)*	(110 V, 230 V, 240 V) ~
Cutting Depth	35 mm Max.
Power Input*	1010 W
Capacity	125 mm Max. Hole diam. 20 mm
Dimensions (Length × Height × Width)	284 mm × 208 mm × 320 mm
No Load Speed	9600 / min
Weight (without cord)	2.9 Kg

* Be sure to check the nameplate on product as it is subject to change by areas.

STANDARD ACCESSORIES

- (1) Box wrench 1
 - (2) Guide 1
 - (3) Dust bag 1
- Standard accessories are subject to change without notice.

OPTIONAL ACCESSORIES (sold separately)

- Carbide Tipped Saw Blade (Dia. 125 mm) for the gypsum board.

Optional accessories are subject to change without notice.

APPLICATIONS

- (1) Cutting the hard boards types T9 and T7.
(ex. harditex, hardiflex, etc.)
- (2) Cutting the gypsum board.

PRIOR TO OPERATION

1. Power source

Ensure that the power source to be utilized conforms to the power requirements specified on the product nameplate.

2. Power switch

Ensure that the power switch is in the OFF position. If the plug is connected to a receptacle while the power switch is in the ON position, the power tool will start operating immediately, which could cause a serious accident.

3. Extension cord

When the work area is removed from the power source, use an extension cord of sufficient thickness and rated capacity. The extension cord should be kept as short as practicable.

4. Prepare a wooden workbench (Fig. 1)

Since the saw blade will extend beyond the lower surface of the lumber, place the lumber on the workbench prior to cutting. If a square block is utilized as the workbench, adjust leveling to ensure that it is properly stabilized. An unstable workbench will result in hazardous operation.

CAUTION

- To avoid possible accident, remains always ensure that the portion of workpiece after cutting is securely anchored or held in position.

ADJUSTING THE SAW PRIOR TO USE

1. Adjusting the cutting depth (Fig. 2)

CAUTION

If the clamp lever is loose, injury can result. Tighten it securely after adjustment.

- (1) To adjust cutting depth, loosen the clamp lever and, while holding the base with one hand, move the main body up and down to obtain the prescribed cutting depth. After adjusting to the prescribed cutting depth, tighten the clamp lever securely.
- (2) When a base and saw blade are right-angled, it cuts deeply using the scale of a link part, and the depth can be adjusted (Fig. 3).

3. Regulating the guide (Fig. 4)

The cutting position can be regulated by moving the guide to the left or right after loosening its wing-bolt. The guide may be mounted on either the right or left side of the base.

CUTTING PROCEDURES

CAUTION

- During use, when the body is out of condition or there is unusual sound, please turn off a switch immediately.
- During cutting, please do not pry the body or do not push too much strongly. Please carry forward the body calmly straightly.

It becomes the cause of an injury in response to restitution. Moreover, while unreasonableness starts a motor part, the life of saw blade is shortened.

- Please do not carry out usage which made saw blade facing up and sideways.
- It becomes the cause of an injury.
- Please use protection glasses.
- Please use the protection implement of an ear.
- Surely, the time of work discontinuation and after work should turn off and put a switch, and should pull out a lump plug from a power supply wall socket.
- Be careful by rotating saw blade not to cut a code.

NOTE

- Before beginning cutting, rotation of saw blade should become the maximum high speed.
- Extrusion fabrication cement building materials should not cut 1 time of the cut depth with the speed of 40 cm or less in 20 mm or less and 1 minute.

When using the cut depth, making it shallow, in order that edge of a blade may open, dust-collecting power declines.

1. The body (base) is carried on work piece and guide slot of the base front part is united with a premarked line.

When you do not incline, please follow large guide slot as a guide, and when you incline (45°), follow small guide slot as a guide (Fig. 5, Fig. 6, Fig. 7).

2. Saw blade turns on a switch in the state where work piece cannot be touched.

This state is maintained until it carries forward the body ahead slowly and finishes cutting it then.

For pulling and cleaning the skin, it advances straightly with fixed speed.

MOUNTING AND DISMOUNTING THE SAW BLADE

As for this body, saw blade is not attached to the body at the time of factory shipments.

Please carry out attachment and removal of saw blade in the following procedure in the case of use.

CAUTION

- Surely, please turn off and put a switch in the case of attachment and removal of saw blade, and pull out a lump plug from a power supply wall socket.
- It becomes the basis of the unexpected accident.
- Attachment and detachment of a hexagonal flange bolt should work with an attached box spanner.
- If tools other than attachment are used, it will become

past [a bundle] and the shortage of bolting, and will become the cause of an injury.

1. How to attach (Fig. 8)

(1) The cut depth is made into the minimum.

A lever is loosened, a base is made into the minimum cut depth, and a lever is fastened.

(2) Two projection parts of a slide cover are pressed down with a finger, and it moves up (Fig. 9).

(3) A washer (A) is removed (Fig. 10).

Pushing in a lock lever, a hexagonal flange bolt is loosened with an attached box spanner, and a washer (A) is removed.

Since a hexagonal flange bolt is a left screw, it will loosen, if it turns clockwise.

After removing, the garbage adhering to the spindle or the washer (A) is often wiped off.

(4) Saw blade is attached (Fig. 11)

A lower guard is carried out to full open, and saw blade is attached.

It is made in agreement [the direction of an arrow of saw blade] with the direction of an arrow of saw cover.

(5) A hexagonal flange bolt is tightened (Fig. 12).

A washer (A) and a hexagonal flange bolt are attached in order of the left figure, and a hexagonal flange bolt is fully bound tight using an attached box spanner, pushing a lock lever.

USE OF DUST BAG

CAUTION

- To avoid serious accident, ensure the switch is in the OFF position, and disconnect the plug from the receptacle.
- Never attempt to saw any material like metal and so on that give off sparks. Such action can lead to fire or injury.

1. Mounting the dust bag

Hold the clasp of the dust bag and insert it into the adapting mouth of the body while opening the thrusting mouth (Fig. 13).

2. Dumping sawdust and cleaning the inside of dust bag

NOTE

- If too much sawdust is accumulated inside the dust bag, the dust collector will run low on power. Attempt to dump the sawdust as early as you can and clean the dust bag thoroughly so that you can enjoy your work with strong dust collecting power.

(1) Hold the clasp, open the thrusting mouth of the dust bag, and pull it off from the body.

(2) Open the fastener (Fig. 14) and dump the sawdust.

MAINTENANCE AND INSPECTION

1. Inspecting the saw blade

Since use of a dull saw blade will degrade efficiency and cause possible motor malfunction. Resharpener and replace the saw blade as soon as abrasion is noted.

2. Inspecting the mounting screws

Regularly inspect all mounting screws and ensure that they are properly tightened. Should any of the screws be loose, retighten them immediately. Failure to do so could result in serious hazard.

3. Maintenance of the motor

The motor unit winding is the very "heart" of the power tool.

Exercise due care to ensure the winding does not become damaged and/or wet with oil or water.

4. Inspecting the carbon brushes

For your continued safety and electrical shock protection, carbon brush inspection and replacement on this tool should ONLY be performed by a Hitachi Authorized Service Center.

5. Replacing supply cord

If the supply cord of Tool is damaged, the Tool must be returned to Hitachi Authorized Service Center for the cord to be replaced.

6. Adjusting the base and saw blade to maintain perpendicularity

The angle between the base and the saw blade has been adjusted to 90°, however should this perpendicularity be lost for some reason, adjust in the following manner:

- (1) Placing a square against the base of the tool, determine the angle desired and lightly tighten the M4 screw (See **Fig. 15**).
- (2) Turn the angle adjustment screw until the end of the screw touches the bevel plate.
- (3) After all adjustments have been made, firmly tighten the M4 screw.

7. Service parts list

CAUTION

Repair, modification and inspection of Hitachi Power Tools must be carried out by a Hitachi Authorized Service Center.

This Parts List will be helpful if presented with the tool to the Hitachi Authorized Service Center when requesting repair or other maintenance.

In the operation and maintenance of power tools, the safety regulations and standards prescribed in each country must be observed.

MODIFICATIONS

Hitachi Power Tools are constantly being improved and modified to incorporate the latest technological advancements.

Accordingly, some parts may be changed without prior notice.

NOTE

Due to HITACHI's continuing program of research and development, the specifications herein are subject to change without prior notice.

NORMAS GENERALES DE SEGURIDAD

¡ADVERTENCIA!

Lea todas las instrucciones

Sino se siguen las instrucciones de abajo podría producirse una descarga eléctrica, un incendio y/o daños graves.

El término "herramienta eléctrica" en todas las advertencias indicadas a continuación hace referencia a la herramienta eléctrica que funciona con la red de suministro (con cable) o a la herramienta eléctrica que funciona con pilas (sin cable).

CONSERVE ESTAS INSTRUCCIONES

1) Área de trabajo

- Mantenga la zona de trabajo limpia y bien iluminada.**
Las zonas desordenadas y oscuras pueden provocar accidentes.
- No utilice las herramientas eléctricas en entornos explosivos como, por ejemplo, en presencia de líquidos inflamables, gases o polvo.**
Las herramientas eléctricas crean chispas que pueden hacer que el polvo desprenda humo.
- Mantenga a los niños y transeúntes alejados cuando utilice una herramienta eléctrica.**
Las distracciones pueden hacer que pierda el control.

2) Seguridad eléctrica

- Los enchufes de las herramientas eléctricas tienen que ser adecuados a la toma de corriente. No modifique el enchufe.**
No utilice enchufes adaptadores con herramientas eléctricas conectadas a tierra.
Si no se modifican los enchufes y se utilizan tomas de corriente adecuadas se reducirá el riesgo de descarga eléctrica.
- Evite el contacto corporal con superficies conectadas a tierra como tuberías, radiadores y frigoríficos.**
Hay mayor riesgo de descarga eléctrica si su cuerpo está en contacto con el suelo.
- No exponga las herramientas eléctricas a la lluvia o a la humedad.**
La entrada de agua en una herramienta eléctrica aumentará el riesgo de descarga eléctrica.
- No utilice el cable incorrectamente. No utilice el cable para transportar, tirar de la herramienta eléctrica o desenchufarla.**
Mantenga el cable alejado del calor, del aceite, de bordes afilados o piezas móviles.
Los cables dañados o enredados aumentan el riesgo de descarga eléctrica.
- Cuando utilice una herramienta eléctrica al aire libre, utilice un cable prolongador adecuado para utilizarse al aire libre.**
La utilización de un cable adecuado para usarse al aire libre reduce el riesgo de descarga eléctrica.

3) Seguridad personal

- Esté atento, preste atención a lo que hace y utilice el sentido común cuando utilice una herramienta eléctrica.**
No utilice una herramienta eléctrica cuando esté cansado o esté bajo la influencia de drogas, alcohol o medicación.
La distracción momentánea cuando utiliza herramientas eléctricas puede dar lugar a importantes daños personales.

- Utilice equipo de seguridad. Utilice siempre una protección ocular.**
El equipo de seguridad como máscara para el polvo, zapatos de seguridad antideslizantes, casco o protección para oídos utilizado para condiciones adecuadas reducirá los daños personales.
 - Evite un inicio accidental. Asegúrese de que el interruptor está en "off" antes de enchufarlo.**
El transporte de herramientas eléctricas con el dedo en el interruptor o el enchufe de herramientas eléctricas con el interruptor encendido puede provocar accidentes.
 - Retire las llaves de ajuste antes de encender la herramienta eléctrica.**
Si se deja una llave en una pieza giratoria de la herramienta eléctrica podrían producirse daños personales.
 - No se extralimite. Mantenga un equilibrio adecuado en todo momento.**
Esto permite un mayor control de la herramienta eléctrica en situaciones inesperadas.
 - Vístase adecuadamente. No lleve prendas sueltas o joyas. Mantenga el pelo, la ropa y los guantes alejados de las piezas móviles.**
La ropa suelta, las joyas y el pelo largo pueden pillarse en las piezas móviles.
 - Si se proporcionan dispositivos para la conexión de extracción de polvo e instalaciones de recogida, asegúrese de que están conectados y se utilizan adecuadamente.**
La utilización de estos dispositivos puede reducir los riesgos relacionados con el polvo.
- #### 4) Utilización y mantenimiento de las herramientas eléctricas
- No fuerce la herramienta eléctrica. Utilice la herramienta eléctrica correcta para su aplicación.**
La herramienta eléctrica correcta trabajará mejor y de forma más segura si se utiliza a la velocidad para la que fue diseñada.
 - No utilice la herramienta eléctrica si el interruptor no la enciende y apaga.**
Las herramientas eléctricas que no pueden controlarse con el interruptor son peligrosas y deben repararse.
 - Desconecte el enchufe de la fuente eléctrica antes de hacer ajustes, cambiar accesorios o almacenar herramientas eléctricas.**
Estas medidas de seguridad preventivas reducen el riesgo de que la herramienta eléctrica se ponga en marcha accidentalmente.
 - Guarde las herramientas eléctricas que no se utilicen para que no las cojan los niños y no permita que utilicen las herramientas eléctricas personas no familiarizadas con las mismas o con estas instrucciones.**
Las herramientas eléctricas son peligrosas si son utilizadas por usuarios sin formación.
 - Mantenimiento de las herramientas eléctricas.**
Compruebe si las piezas móviles están mal alineadas o unidas, si hay alguna pieza rota u otra condición que pudiera afectar al funcionamiento de las herramientas eléctricas. Si la herramienta eléctrica está dañada, llévela a reparar antes de utilizarla.

Se producen muchos accidentes por no realizar un mantenimiento correcto de las herramientas eléctricas.

f) Mantenga las herramientas de corte afiladas y limpias.

Las herramientas de corte correctamente mantenidas con los bordes de corte afilados son más fáciles de controlar.

g) Utilice la herramienta eléctrica, los accesorios y las brocas de la herramienta, etc., de acuerdo con estas instrucciones y de la manera adecuada para el tipo de herramienta eléctrica, teniendo en cuenta las condiciones laborales y el trabajo que se va a realizar.

La utilización de la herramienta eléctrica para operaciones diferentes a pretendidas podría dar lugar a una situación peligrosa.

5) Revisión

a) Lleve su herramienta a que la revise un experto cualificado que utilice sólo piezas de repuesto idénticas.

Esto garantizará el mantenimiento de la seguridad de la herramienta eléctrica.

PRECAUCIÓN

Mantenga a los niños y a las personas enfermas alejadas.

Cuando no se utilicen, las herramientas deben almacenarse fuera del alcance de los niños y de las personas enfermas.

ESPECIFICACIONES

Voltaje (por áreas)*	(110 V, 230 V, 240 V) ∩
Profundidad de corte	35 mm máx.
Acometida*	1010 W
Capacidad	125 mm Diámetro máx. del orificio 20 mm
Dimensiones (longitud × altura × anchura)	284 mm × 208 mm × 320 mm
Velocidad de marcha en vacío	9600 / min
Peso (sin cable)	2,9 Kg

* Verificar indefectiblemente los datos de la placa de características de la máquina, pues varían de acuerdo al país de destino.

ACCESORIOS ESTÁNDAR

- (1) Llave de cazoleta 1
 - (2) Guía 1
 - (3) Bolsa para polvos 1
- Los accesorios estándar están sujetos a cambio sin previo aviso.

ACCESORIOS OPCIÓN (de venta por separado)

- Hoja de sierra con puntas de carburo (Diám. 125 mm) para el tablero de yeso.
- Los accesorios opcionales están sujetos a cambio sin previo aviso.

PRECAUCIONES EN EL EMPLEO DE LA SIERRA CIRCULAR CON TOMA DE ASPIRACIÓN

1. No utilice hojas de sierra que estén deformadas o agrietadas.
2. No utilice hojas de sierra fabricadas con acero de corte rápido.
3. No utilice hojas de sierra que no cumplan las características especificadas en estas instrucciones.
4. No detenga las hojas de sierra mediante presión lateral en la superficie lateral del disco.
5. Mantenga la hoja de sierra siempre afilada.
6. Asegúrese de que el protector inferior se desplaza suave y libremente.
7. No utilice nunca la sierra circular con el protector inferior fijado en la posición abierta.
8. Asegúrese de que el mecanismo de retracción del sistema del protector funciona correctamente.
9. No utilice nunca la sierra circular cogiendo la hoja de sierra al revés o lateralmente.
10. Asegúrese de que el material está libre de cualquier material extraño, como, por ejemplo, clavos.
11. Para el modelo C5YC, el diámetro de la hoja de sierra que se puede montar es de 125 mm o menos.
12. Tenga cuidado con el retroceso del freno. Esta sierra circular incorpora un freno eléctrico que funciona cuando se suelta el interruptor. Dado que existe cierto retroceso cuando el freno funciona, asegúrese de sujetar bien la unidad principal.

APLICACIONES

- (1) Corte en tableros duros: tipos T9 y T7. (p. ej., harditex, hardiflex, etc.)
- (2) Corte en el tablero de yeso.

ANTES DE LA PUESTA EN MARCHA

- 1. Alimentación**
Asegurarse de que la alimentación de red que ha de ser utilizada responda a las exigencias de corriente especificadas en la placa de características del producto.
- 2. Conmutador de alimentación**
Asegurarse de que el conmutador de alimentación esté en la posición OFF (desconectado). Si la clavija está conectada en la caja del enchufe mientras el

conmutador de alimentación esté posición ON (conectado) las herramientas eléctricas empezarán a trabajar inmediatamente, provocando un serio accidente.

3. Cable de prolongación

Cuando está alejada el área de trabajo de la red de alimentación, usar un cable de prolongación de un grosor de potencia nominal y suficiente. El cable de prolongación debe ser mantenido lo más corto posible.

4. Prepare un banco de trabajo de madera (Fig. 1)

Dado que la hoja de la sierra se extenderá más allá de la superficie inferior de la madera, coloque la madera sobre el banco de trabajo antes de cortarla. Si utiliza un bloque cuadrado como banco de trabajo, ajuste la nivelación para asegurarse de que está bien estabilizado. Un banco de trabajo inestable puede suponer riesgos para el funcionamiento.

PRECAUCIÓN

- Para evitar posibles accidentes, debe estar seguro siempre de que la porción de la pieza de trabajo tras el corte está bien fijada o sujeta en su sitio.

AJUSTE DE LA SIERRA ANTES DE USARLA

1. Ajuste de la profundidad del corte (Fig. 2)

PRECAUCIÓN

Si la palanca de abrazadera está suelta, se pueden producir lesiones.
Apriétela bien tras el ajuste.

- (1) Para ajustar la profundidad de corte, afloje la palanca de abrazadera y, mientras mantiene la base con una mano, mueva la unidad principal arriba y abajo para obtener la profundidad de corte predefinida. Tras ajustar la profundidad de corte predefinida, apriete bien la palanca de abrazadera.
- (2) Cuando la hoja de sierra y la base estén en ángulo recto, se realiza un corte profundo utilizando la escala de una pieza de enlace y la profundidad se puede ajustar (Fig. 3).

3. Regulación de la guía (Fig. 4)

La posición de corte se puede regular moviendo la guía a la izquierda o a la derecha después de aflojar el perno de orejetas. La guía puede estar montada en la parte derecha o izquierda de la base.

PROCEDIMIENTOS DE CORTE

PRECAUCIÓN

- Durante el uso, cuando la unidad no esté en buen estado o haya un ruido inusual, apague el interruptor inmediatamente.
- Durante el corte, no abra la unidad ni empuje con demasiada fuerza. Desplace la unidad suavemente hacia delante y en dirección recta.
Se convierte en la causa de una lesión en respuesta a una restitución. Además, si se producen arranques accidentales de una pieza motora, la vida de hoja de sierra se verá reducida.
- No utilice la hoja de sierra de tal forma que mire hacia arriba o hacia el lado.
Puede ser la causa de una lesión.
- Utilice gafas protectoras.
- Utilice el protector de oídos.

- Cuando se interrumpe el trabajo y después del mismo, se debe apagar la máquina y se debe desconectar el enchufe de la toma de corriente.
- Tenga cuidado al girar la hoja de sierra para no cortar un código.

NOTA

- Antes de empezar a cortar, la rotación de la hoja de sierra debe alcanzar la velocidad máxima.
- Los materiales de construcción del cemento de fabricación de extrusión deberían cortarse con una profundidad de 20 mm o menos la primera vez, o con una velocidad de 40 cm o menos por minuto.

Cuando utilice la profundidad de corte, redúzcala para que el borde de la hoja se pueda abrir y la potencia de recopilación de polvo se reduzca.

1. Coloque la unidad (base) sobre la pieza de trabajo y sitúe la ranura guía situada en la parte delantera de la base de tal forma que coincida con la línea predefinida.

Cuando no haya inclinación, siga la ranura guía grande y cuando sí haya inclinación (45°), siga la ranura guía pequeña como guía (Fig. 5, Fig. 6, Fig. 7).

2. La hoja de sierra activa un interruptor en caso de que la pieza de trabajo no se pueda tocar.

Este estado se mantiene hasta que se desplaza la unidad lentamente hacia delante y termina de cortarla luego.

Para eliminar y limpiar la piel, avanza recto con una velocidad fija.

MONTAJE Y DESMONTAJE DE LA HOJA DE SIERRA

Al igual que con esta unidad, la hoja de sierra no está montada en la unidad cuando ésta sale de la fábrica.

En caso de necesidad, monte o desmonte la hoja de sierra de la siguiente forma.

PRECAUCIÓN

- Apague la unidad en caso de que vaya a montar o desmontar la hoja de sierra y desenchufe la unidad de la toma de corriente.
Esto puede provocar un accidente inesperado.
- Para fijar o retirar un perno de reborde hexagonal, se debe usar la llave de cazoleta suministrada.
Si funciona con cualquier herramienta que no sean las llaves de cazoleta suministradas, se ajustará demasiado o no lo suficiente, y esto podría provocar lesiones.

1. Fijación (Fig. 8)

- (1) La profundidad de corte se debe ajustar en el mínimo. La palanca se afloja, la base se ajusta en la profundidad de corte mínima y la palanca se fija.
- (2) Las dos piezas salientes de la tapa deslizante se deben presionar con un dedo y desplazar hacia arriba (Fig. 9).
- (3) Se retira una arandela (A) (Fig. 10).
Presionando la palanca de bloqueo, el perno de reborde hexagonal se afloja con la llave de cazoletas suministrada y se retira la arandela (A).
Dado que el perno de reborde hexagonal es un tornillo izquierdo, se aflojará girando en el sentido de las agujas del reloj.
Tras retirarlo, se suele eliminar la suciedad adherida al eje o a la arandela (A).

- (4) Se fija la hoja de sierra (**Fig. 11**)
El protector inferior se abre por completo y se fija la hoja de sierra.
Se hace de tal forma que [la dirección de la flecha de la hoja de sierra] coincida con la dirección de la flecha de la esquina de la sierra.
- (5) Se aprieta el perno de reborde hexagonal (**Fig. 12**).
Se fija la arandela (A) y el tornillo de reborde hexagonal en el orden de la figura de la izquierda y el perno de reborde hexagonal se aprieta por completo usando una llave de cazoletas, presionando la palanca de bloqueo.

USO DE LA BOLSA PARA POLVOS

PRECAUCIÓN

- Para evitar un accidente grave, asegúrese de que el interruptor está en la posición OFF, y desconecte el enchufe de la toma de corriente.
- No intente nunca cortar cualquier material que pueda soltar chispas, como el metal, etc. Puede provocar un incendio o lesiones.

1. Montaje de la bolsa para polvos

Sujete la presilla de la bolsa para polvos e insértela en la boquilla adaptadora de la unidad mientras abre la boquilla de tracción (**Fig. 13**).

2. Vaciado del polvo y limpieza del interior de la bolsa NOTA

- Si se acumula demasiado polvo en el interior de la bolsa, el captador de polvo se quedará sin potencia. Intente vaciar el polvo en cuanto pueda y limpie la bolsa de polvo a conciencia, de tal forma que pueda trabajar con una fuerte potencia de captación de polvo.
- (1) Sujete la presilla, abra la boquilla de empuje de la bolsa para polvos y sepárela del cuerpo.
 - (2) Abra el cierre (**Fig. 14**) y vacíe el polvo.

MANTENIMIENTO E INSPECCION

1. Inspección de la hoja de sierra

Dado que el uso de una hoja de sierra desafilada afectará a la eficacia y causará posibles fallos en el motor, vuelva a afilar y colocar la hoja de sierra en cuanto note cualquier desgaste.

2. Inspeccionar los tornillos de montaje

Regularmente inspeccionar todos los tornillos de montaje y asegurarse de que estén apretados firmemente. Si cualquier tornillo estuviera suelto, volver a apretarlo inmediatamente. El no hacer esto provocaría un riesgo serio.

3. Mantenimiento de motor

La unidad de bobinado del motor es el verdadero "corazón" de las herramientas eléctricas. Prestar el mayor cuidado y asegurarse de que el bobinado no se dañe y/o se humedezca con aceite o agua.

4. Inspección de las escobillas

Por motivos de seguridad contra descargas eléctricas, la inspección y el reemplazo de las escobillas deberán realizarse SOLAMENTE en un CENTRO DE SERVICIO AUTORIZADO POR HITACHI.

5. Reemplazo del cable de alimentación

Si el cable de alimentación de la herramienta está dañado, envíe la herramienta al Centro de Servicio Autorizado de Hitachi para que le cambien el cable de alimentación.

6. Ajuste de la base y la hoja de sierra para mantener la perpendicularidad

El ángulo entre la base y la hoja de sierra se ha ajustado en 90°. Sin embargo, si por alguna razón esta perpendicularidad se pierde, el ángulo se debe ajustar de la siguiente manera:

- (1) Colocando una escuadra contra la base de la herramienta, determine el ángulo deseado y apriete ligeramente el tornillo M4 (véase la **Fig. 15**).
- (2) Gire el tornillo de ajuste del ángulo hasta que el extremo del tornillo toque la placa del bisel.
- (3) Una vez que se han realizado todos los ajustes, apriete bien el tornillo M4.

7. Lista de repuestos

PRECAUCIÓN

La reparación, modificación e inspección de las herramientas eléctricas Hitachi deben ser realizadas por un Centro de Servicio Autorizado de Hitachi.

Esta lista de repuestos será de utilidad si es presentada junto con la herramienta al Centro de Servicio Autorizado de Hitachi, para solicitar la reparación o cualquier otro tipo de mantenimiento.

En el manejo y el mantenimiento de las herramientas eléctricas, se deberán observar las normas y reglamentos vigentes en cada país.

MODIFICACIONES

Hitachi Power Tools introduce constantemente mejoras y modificaciones para incorporar los últimos avances tecnológicos.

Por consiguiente, algunas partes pueden ser modificadas sin previo aviso.

NOTA

Debido al programa continuo de investigación y desarrollo de HITACHI estas especificaciones están sujetas a cambio sin previo aviso.

一般安全規則

警告！

請通讀本說明書

若不遵守下列注意事項，可能會導致電擊、火災及/或嚴重傷害。

下述警告中的術語「電動工具」，指插電（有線）電動工具或電池（無線）電動工具。

請妥善保管本說明書

1) 工作場所

- a) 工作場所應打掃乾淨，並保持充分的亮度。
雜亂無章及光線昏暗容易導致事故。
- b) 請勿在易爆炸的環境中操作電動工具，如存在易燃液體、氣體或粉塵的環境中。
電動工具產生的火花可能會點燃煙塵。
- c) 操作電動工具時，孩童與旁觀者勿靠近工作場所。
工作時分神可能會造成工具失控。

2) 電氣安全

- a) 電動工具插頭必須與插座相配。
不得以任何形式改裝插頭。
不得對接地的電動工具使用任何轉接插頭。
原裝插頭及相配插座將會減少電擊的危險。
- b) 應避免身體與大地或接地表面，如管道、散熱器、爐灶、冰箱等的接觸。
若身體接觸大地或接地表面，更會增加電擊的危險。
- c) 電動工具不可任其風吹雨打，或置於潮濕的環境中。
水進入電動工具也會增加電擊的危險。
- d) 要小心使用電線。不要用電線提拉電動工具，或拉扯電線來拆除工具的插頭。
電線應遠離熱源、油液，並避免接觸到銳利邊緣或轉動部分。
電線損壞或攪纏在一起會增加電擊的危險。
- e) 在室外操作電動工具時，請使用專用延伸線。
使用專用延伸線可降低電擊的危險。

3) 人身安全

- a) 保持高度警覺，充分掌握情況，以正常的判斷力從事作業。
疲勞狀態或服藥、飲酒後，請勿使用電動工具。
操作電動工具時，一時的疏忽都可能造成嚴重的人身傷害。
- b) 使用安全設備。始終配戴安全眼鏡。
在適用條件下，使用防塵面罩、防滑膠鞋、安全帽或聽覺保護裝置等安全設備，都會減少人身傷害。

- c) 謹防誤開動。插接電源前，請先確認開關是否已切斷。

搬移電動工具時指頭接觸開關，或接通開關狀態下插上電源插座，都容易導致事故。

- d) 開動前務必把調整用鍵和扳手類拆除下來。
扳手或鍵留在轉動部分上，可能會造成人身傷害。
- e) 要在力所能及的範圍內進行作業。作業時腳步要站穩，身體姿勢要保持平衡。
這樣在意外情況下可以更好地控制工具。
- f) 工作時衣服穿戴要合適。不要穿著過於寬鬆的衣服或佩帶首飾。頭髮、衣角和手套等應遠離轉動部分。
鬆散的衣角、首飾或長髮都可能會捲入轉動部分。
- g) 如果提供連接除塵和集塵的設備，請確認是否已經連接好並且使用正常。
使用這些設備可降低粉塵引起的危險。

4) 電動工具的使用和維護

- a) 不要使勁用力推壓。應正確使用電動工具。
正確使用才能讓工具按設計條件有效而安全地工作。
- b) 如果電動工具不能正常開關，切勿使用。
無法控制開關的電動工具非常危險，必須進行修理。
- c) 進行調整、更換附件或存放工具前，請拆除電源插頭。
此類預防安全措施可減少誤開動工具的危險。
- d) 閒置不用的工具，應存放在孩童夠不到的地方；不熟悉電動工具或本說明書的人員，不允許操作本工具。
未經培訓的人員使用電動工具非常危險。
- e) 妥善維護工具。檢查轉動部分的對準、連接，各零件有無異常，及其他足以給工作帶來不良影響的情況。
如有損壞，必須修理後才能使用。
許多事故都是因工具維護不良引起的。
- f) 保持工具鋒利、清潔。
正確維護工具，使其保持鋒利，作業順暢，便於控制。
- g) 請根據本說明書，按照特殊類型電動工具的方式，使用本工具、附件及鑽頭，並考慮作業條件及具體的作業情況。
電動工具用於規定外的作業，可能會導致危險狀況。

5) 維修

- a) 本電動工具的維修必須由專業人員使用純正配件進行。
這樣才能確保電動工具的安全性。

注意事項：

不可讓孩童和體弱人士靠近工作場所。
應將不使用的工具存放在孩童和體弱人士伸手不及的地方。

使用集塵式圓鋸機時的注意事項

1. 切勿使用變形或破裂的鋸片。
2. 切勿使用高速鋼製造的鋸片。
3. 切勿使用性能不符合此處說明規定的鋸片。

4. 切勿通過在鋸盤上施加側壓力來制動鋸片。
5. 鋸片應保持銳利。
6. 確保下單移動靈活。
7. 在下單打開時，切勿使用圓鋸機。
8. 確保罩系統的回縮部件可正常工作。
9. 鋸片上下倒置或橫向裝入時，切勿操作圓鋸機。
10. 確保沒有釘子之類的異物。
11. 對於C5YC型號，鋸片外徑必須為125mm或更小。
12. 請注意制動反沖。

本圓鋸機具有電動制動器，可在關閉開關後起作用。制動器作用時有反衝力，請務必抓緊機身。

規 格

電壓（按地區）*	(110V, 230V, 240V) ~
切割深度	最大35 mm
輸入功率*	1010 W (台灣900 W)
額定輸出功率	480 W
最大性能	最大125 mm 孔徑20 mm
尺寸（長 × 高 × 寬）	284 mm × 208 mm × 320 mm
無負荷速度	9600轉/分
重量（不含線纜和側柄）	2.9 Kg

*當須改變地區時應檢查產品上的銘牌。

標 準 附 件

- (1) 套筒扳手 1
 - (2) 導向器 1
 - (3) 集塵袋 1
- 標準附件可能不預先通告而徑予更改。

選購附件（分開銷售）

○ 用於切割石膏板的硬質合金鋸片（直徑125mm）。
選購附件可能不預先通告而徑予更改。

用 途

- (1) 切割T9和T7型硬板。
(如harditex、hardiflex等)
- (2) 切割石膏板。

作 業 之 前

1. **電源**
確認所使用的電源與工具銘牌上標示的規格是否相符。
2. **電源開關**
確認電源開關是否切斷。若電源開關接通，則插頭插入電源插座時電動工具將出其不意地立刻轉動，從而招致嚴重事故。
3. **延伸線纜**
若作業場所移到離開電源的地點，應使用容量足夠、鍍裝合適的延伸線纜，並且要盡可能地短些。
4. **製備木質工作臺（圖1）**
鋸片將露出鋸木下面，所以切割前應將切木放在工作臺上。若用方木塊作為工作臺，則應調整水準確保平穩。使用不穩定的工作臺工作時非常危險。

注意

- 為避免可能發生的事故，切割後的切鋸剩餘部分應固定妥當。

使用前調整圓鋸機

1. 調整切割深度 (圖2)

注意

如果固定桿鬆動，將會造成嚴重事故。
調整後請將其緊固。

- (1) 調整切割深度時，鬆開固定桿，一手抓住底座的同時上下移動機身達到所需切割深度。調整至所需切割深度後，將固定桿緊固。
 - (2) 底座與鋸片垂直時，可根據連接部件的刻度切割，並可調整深度 (圖3)。
- ### 2. 調整導向器 (圖4)

擰鬆蝶形螺柱，將導向器左右移動，即可調整切割位置。導向器可以安裝在底座的左邊或右邊。

切割步驟

注意

- 工作中若機器停止下來或發出異常雜訊，應即關掉開關。
- 切割過程中，請勿挪動機身或用力推動。請適度地筆直向前移動機身。回退會導致人身傷害。而且，非正常啟動電動部件會引起鋸片使用壽命縮短。
- 請勿在鋸片朝上或朝側面時使用圓鋸機。這會導致人身傷害。
- 請使用防護眼鏡。
- 請使用防護耳塞。
- 作業間歇和完成作業後，請務必關閉電源，並將插頭從電源插座上拔出。
- 請注意切勿讓轉動的鋸片切割到其他物件。

注

- 在開始切割之前，鋸片應已達到全速轉速。
- 切割擠壓製造的水泥建築材料時，不應一次性的以40cm/分鐘或更低的速度切割20mm或以下。

使用切割深度時，請使其較淺，因為鋸片的邊緣可能打開，集塵作用會減弱。

1. 機身 (底座) 放在工件上，底座前部的導槽刻有線條。
不傾斜時，請以大導槽為導向器，傾斜時(45°)，請以小導槽為導向器 (圖5、圖6、圖7)。
2. 在無法接觸到工件時，電源保持打開。
如果不能向前慢慢移動機身並完成切割，將一直保持這種狀態。

鋸片的裝卸

對於本機器，出廠時鋸片未安裝到機身上。
請在使用前按以下步驟安裝和拆卸鋸片。

注意

- 安裝和拆卸鋸片時，請務必關閉電源，並將插頭從電源插座上拔出。否則可能會發生意外事故。
- 安裝和拆卸六角凸緣螺柱時，必須使用附屬的套筒扳手。
如果使用非附屬的工具，將會導致螺柱未擰緊，從而引起人身傷害。

1. 安裝 (圖8)

- (1) 將切割深度調到最小。
鬆開桿，將底座調到最小切割深度，然後固定桿。
- (2) 用一個手指按下滑蓋的兩個凸出部位，將其打開 (圖9)。
- (3) 取下襯墊(A) (圖10)。
壓下鎖緊桿，用附屬的套筒扳手擰鬆六角凸緣螺柱，取下襯墊(A)。
由於六角凸緣螺柱是左轉螺柱，順時針轉動時將變松。
取下襯墊後，粘附在主軸或襯墊(A)上的碎屑就可擦去。
- (4) 安裝鋸片 (圖11)
將下罩完全打開，安裝鋸片。

安裝時鋸片的箭頭方向須與鋸罩上的箭頭方向一致。

- (5) 擰緊六角凸緣螺栓（圖12）。

按左圖中的順序安裝襯墊(A)和六角凸緣螺栓，然後用附屬的套筒扳手完全擰緊六角凸緣螺栓，壓下鎖緊桿。

集塵袋的使用

注意

- 為避免出現嚴重事故，請確保開關處於OFF位置，並將插頭從插座上拔出。
- 切勿試圖切割會出現火星的金屬材料等。否則會導致火災或人身傷害。

1. 安裝集塵袋

在打開插入口的同時抓住集塵袋的扣片將其插入機身的連接口（圖13）。

2. 倒出鋸屑，然後清理集塵袋內部。

注

- 如果集塵袋內部收集的鋸屑太多，集塵器的作用將降低。請儘早傾空鋸屑，然後徹底清理集塵袋，這樣就可在工作時具有強大的集塵性能。

- (1) 抓住扣片，打開集塵袋的插入口，然後將其從機身上取下。

- (2) 打開扣件（圖14），然後倒出鋸屑。

維護和檢查

1. 檢查鋸片

使用鈍鋸片將會降低工作效率，導致電動機故障。故發現磨損時應儘快加以磨利或更換新鋸片。

2. 檢查安裝螺釘

要經常檢查安裝螺釘是否緊固妥善。若發現螺釘鬆了，應立即重新扭緊，否則會導致嚴重的事務。

3. 電動機的維護

電動機繞線是電動工具的“心臟部”。應仔細檢查有無損傷，是否被油液或水沾濕。

4. 檢查碳刷

為了保證長期安全操作和防止觸電，必須僅由經授權的日立維修中心檢查和更換碳刷。

5. 更換電源線

如果工具的電源線破損，必須將工具送回日立授權的服務中心來更換電源線。

6. 調整底座和鋸片保持垂直

底座和鋸片之間的角度已調整為90°，但是由於某些原因這一垂直角度會發生變化，請按照以下方法進行調整。

- (1) 在工具底座上放一直角尺，判斷所需角度，然後輕輕地擰緊M4螺絲（見圖15）。
- (2) 轉動角度調整螺絲，直至螺絲的一端碰到斜板。
- (3) 進行所有調整之後，緊固地擰緊M4螺絲。

7. 維修零部件一覽表

注意

日立電動工具的修理、維護和檢查必須由日立維修服務中心進行。

需要維修時，將此零件目錄和工具一同交給日立維修服務中心，將有助於進行維修或其他保養。

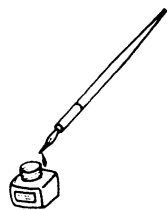
電動工具的操作與保養必須遵照各國家的安全規定及標準。

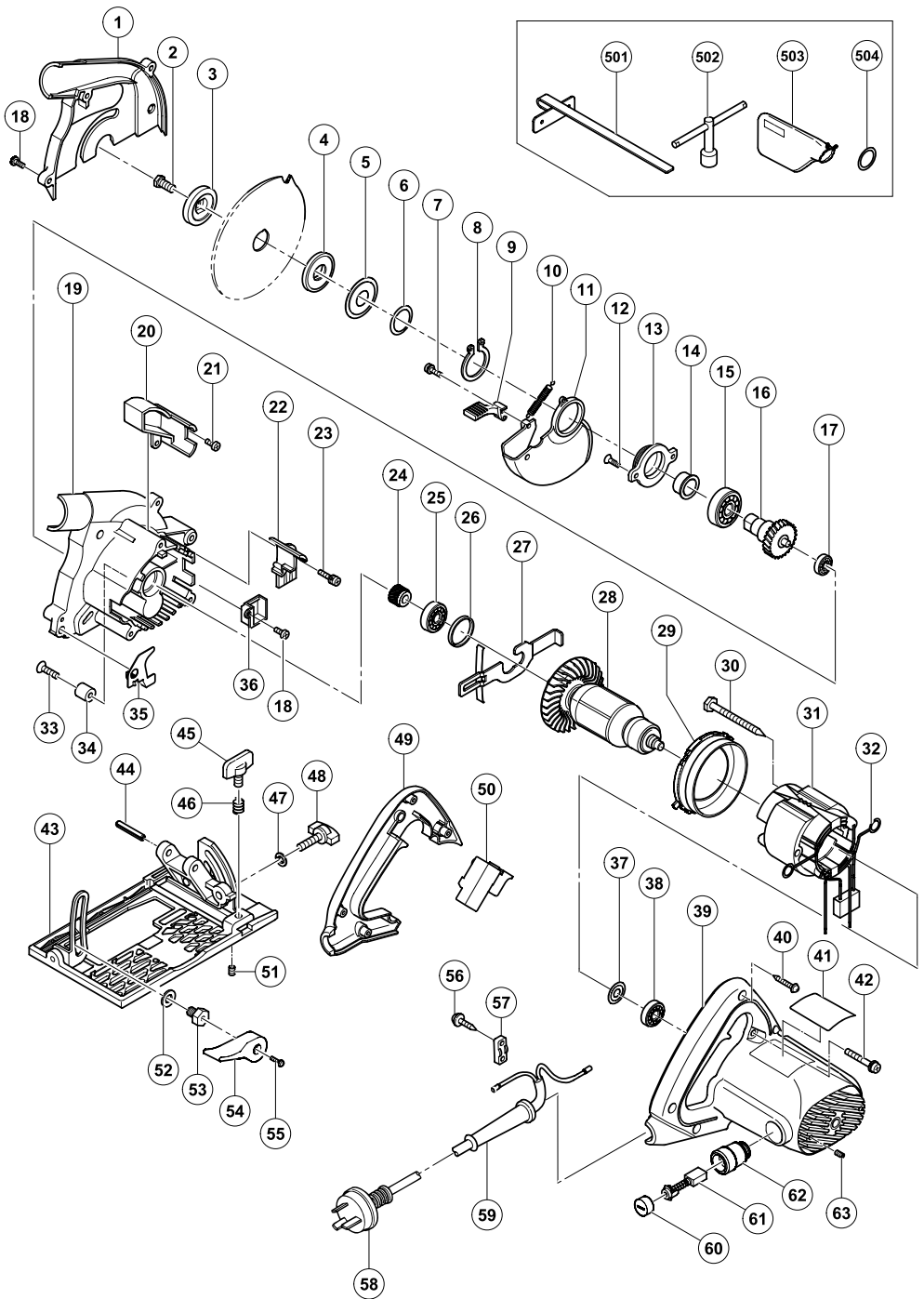
改進

日立電動工具不斷進行改進，以適應最新的科技發展。因此，部份零件的變更可能無法事先通知。

註

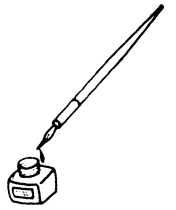
為求改進，本手冊所載規格可能不預先通告而徑予更改。

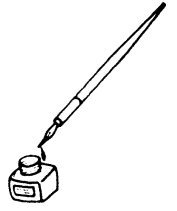




ITEM NO.	PART NAME
1	SAW COVER
2	BOLT (LEFT HAND) W/WASHER M7 × 17.5
3	WASHER (A)
4	WASHER (B)
5	DUST WASHER
6	O-RING (1AP-20)
7	MACHINE SCREW (W/WASHER) M4 × 14
8	RETAINING RING FOR D30 SHAFT
9	LEVER
10	RETURN SPRING
11	LOWER GUARD
12	SEAL LOCK FLAT HD. SCREW M4 × 14
13	BEARING HOLDER
14	SLEEVE
15	BALL BEARING 6094DDPS2L
16	SPINDLE AND GEAR SET
17	BALL BEARING 606ZZC2PS2L
18	MACHINE SCREW M4 × 8
19	GEAR COVER
20	SPACER
21	MACHINE SCREW M4 × 10
22	LED CASE (D)
23	MACHINE SCREW (W/SP. WASHERS) M4 × 20
24	PINION
25	BALL BEARING 629VVC2PS2L
26	RUBBER RING
27	LOCK LEVER
28	ARMATURE
29	FAN GUIDE
30	HEX. HD. TAPPING SCREW D5 × 65
31	STATOR ASSAY
32	BRUSH TERMINAL
33	FLAT HD. SCREW M5 × 20
34	CUSHION
35	DEPTH LIMITED
36	CLEAR COVER
37	WASHER (A)
38	BALL BEARING 608VVC2PS2L
39	HOUSING ASSAY
40	TAPPING SCREW (W/FLANGE) D4 × 20
41	NAME PLATE
42	MACHINE SCREW (W/SP. WASHERS) M5 × 35
43	BASE ASSAY
44	ROLL PIN D& × 45
45	WING BOLT M6 × 16.5
46	LOCK SPRING

ITEM NO.	PART NAME
47	SUPER LOCK WASHER M6
48	WING BOLT (A)
49	HANDLE COVER
50	SWITCH
51	SLOTTED HD. SET SCREW (SEAL LOCK) M6 × 6
52	BOLT WASHER M8
53	LOCK BOLT M8
54	LOCK LEVER
55	MACHINE SCREW (W/SP.WASHERS) M4 × 12
56	TAPPING SCREW (W/WASHER) D4 × 16
57	CORD CLIP
58	CORD
59	CORD ARMOR
60	BRUSH CAP
61	CARBON BRUSH
62	BRUSH HOLDER
63	HEX. SOCKET SET SCREW M5 × 8
501	GUIDE
502	BOX WRENCH 10MM
503	DUST BAG
504	SPACER





 **Hitachi Koki Co., Ltd.**

612
Code No. C99120631 N
Printed in Japan